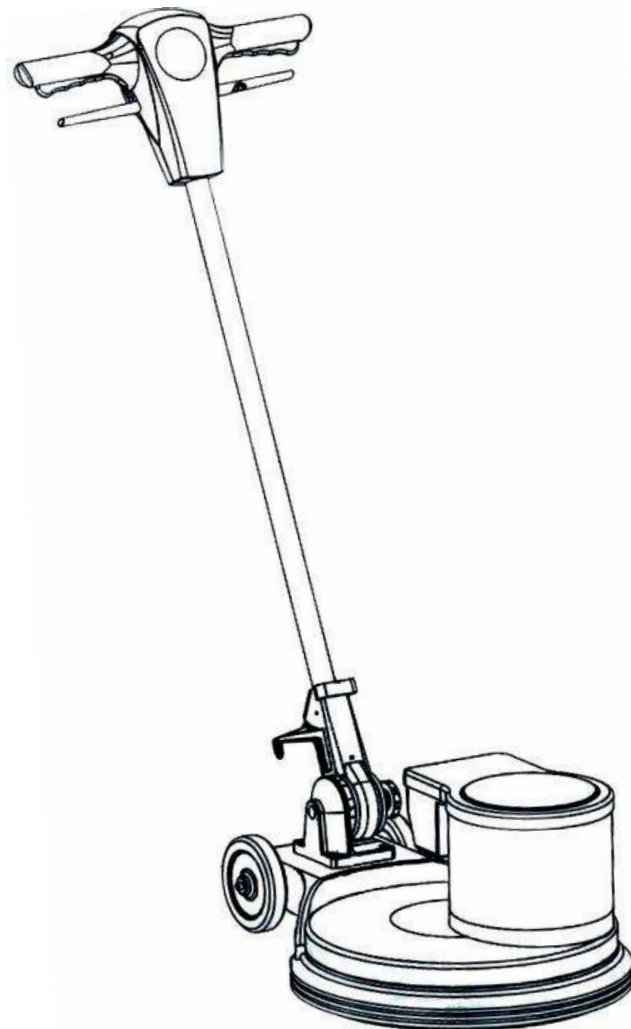


Operation and Parts Manual

AT-401 Industrial Floor Scrubber



Please read and understand this manual before operating the Single Disc Machine to obtain optimum results and maximum safety.

KLENCO AT-401 offers a new generation of single disc rotary floor machine, which has been designed and engineered for operator ease of use, offering higher performance, less operator fatigue with higher productivity.

KLENCO AT-401 is designed for crystallizing and grinding floors, including natural marble and granite.

Safety

- 1. Do not operate the machine:**
 - Unless trained and authorized.
 - Unless the ply and supply are earthed.
 - With damaged power cable and plugs.
 - In pooled or standing water as this may create a risk of injury from electric shock.
- 2. Before operating the machine:**
 - Make sure all safety devices are in place and operate properly.
 - Place safety floor warning signage, as required.
- 3. When using the machine:**
 - Do not run it over the power cable.
 - Do not activate the ON/OFF levers when the handle is in the upright position.
 - Do not touch the power supply plug with moist hands.
 - Do not allow children to play with or around the operating unit.
- 4. Before leaving the machine:**
 - Turn off machine.
 - Unplug power cord from the outlet.
- 5. When servicing the machine:**
 - Unplug power cord from the outlet.
 - Use manufacturer supplied or approved replacement parts.

Assembly

- 1. To attach handle to base:**
 - Unscrew the black bolt from the machine base, position the handle into the corresponding screw and tighten the Black Bolt on the screw.
 - Press the handle height adjustment lever and place the handle in a vertical position.
 - Connect the power cord into the switch-housing receptacle.
- 2. Attaching optional solution tanks:**
 - Attach the upper solution tank support bracket to the handle shaft.
 - Insert the tab at the bottom of the solution tank into the tank support slot located near the handle base. Secure the top of the tank with the upper support bracket.
 - Connect the chain to the solution control lever. Connect the solution feed tube to the solution supply connector on the machine base.

Installing Pad/ Disc Driver

1. Pull the height adjustment lever and raise the handle to the upright position. Carefully tip the machine backwards and rest the handle on the floor (Fig 1).
2. For pad installation, place pad driver on the center of the pad and press down.
3. Position the pad driver on the drive motor hub and turn it clockwise to lock (Fig 2).
To unlock, turn it anti-clockwise.
4. Return machine to the upright position (Fig 3).



Fig 1



Fig 2



Fig 3

Operating Instructions

1. Plug the power cord into a grounded wall socket.
2. Lower the handle to a desired operating height by pulling the height adjustment lever. Release lever to engage handle (Fig 4).
3. To begin scrubbing, hold the handles firmly, depress the safety lock levers and pull the On/Off levers. Release safety lock lever once machine starts.
4. To move the machine left (A), slightly lower the handle. To move right (B), slightly raise the handle. Operate the machine with a side to side motion (Fig 5).
5. To stop the machine, release the On/Off levers and hold handles firmly until machine comes to a complete stop. The safety lock lever will automatically engage.
6. Do not operate the machine in the same spot for a long period of time. Floor damage may result.
7. To maneuver over uneven flooring or steps, stop the machine and tilt it back on the transport wheels.



Fig 4

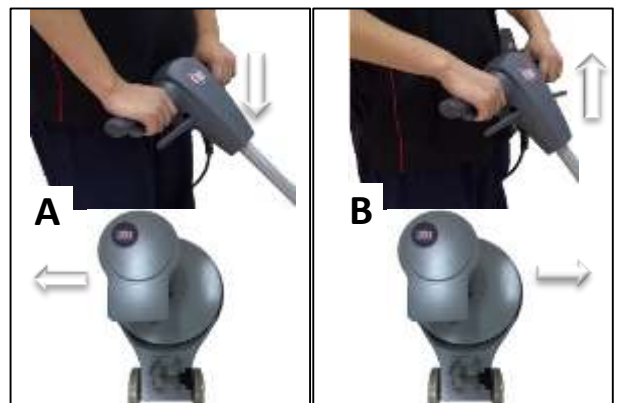


Fig 5

Maintenance & Storing

1. Unplug power cord from wall socket.
 2. Check periodically that all bolts and nuts are tight.
 3. Clean the machine base after each use.
 4. When machine is not in use, do not leave it standing on the pad driver as it may result to pad driver damage.
 5. Remove and clean the pad driver after each use.
 6. Inspect power cord for damage after each use and replace immediately if worn or damaged.
 7. Coil power cord neatly around the cord hook and handle after each use.
 8. Store machine in an upright position at a dry area.
- Note: Servicing and repairs must be performed by a qualified service person.

Warranty

KLENCO warrants to the original purchaser that this product is free from defect in workmanship and materials under normal use & service for 12 months from the date of purchase. This warranty does not apply to normal wear & tear, or to items whose life span is dependent on their use and care, such as electrical cords, switches, rubber parts etc.

Technical Data

Model	AT-401
Working Width	430MM
Clearance Height	250MM
Operation Speed	165RPM
Net Machine Weight	41KG
Main Supply	230V/50Hz
Watt	1300W
Electric Cable	12M
Sound Level	60dbA

Specifications are subject to change without notice.

EC Conformity Declaration



We herewith declare that the design of Single Disc Polisher (Model:AT-401) complies, in the supplied version, with the requisite standards:

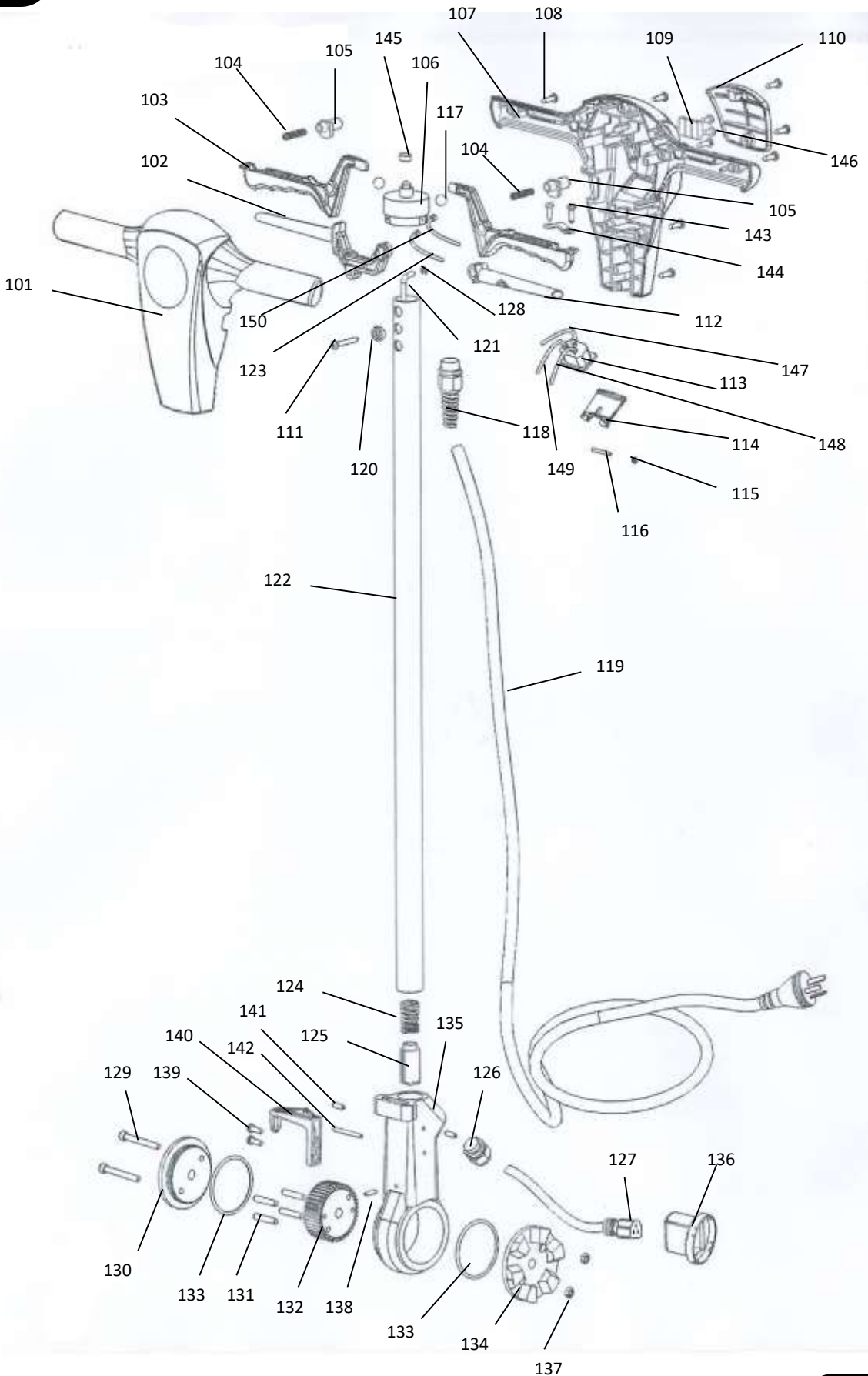
- EMC:

- BS EN 55014-1-2001** Electromagnetic compatibility: emission Requirements
- BS EN 55014-2-1997** Electromagnetic compatibility: Immunity product family standard Requirements
- BS EN 61000-3-2-2001** Electromagnetic compatibility: Limits -limits for Harmonic Current Emissions
- BS EN 61000-3-2-2001** Electromagnetic compatibility: Limits -limits for Harmonic Current Emissions
- BS EN 61000-3-3-1995** Electromagnetic compatibility: Limits-limitation of Voltage Changes, Voltage Fluctuations and Flicker in Public low-Voltage Supply Systems

- LVD:

- BS EN 60335-1-2002** Household and similar electrical appliances Safety: General requirements
- BS EN 60335-2-10-2003** Household and similar electrical appliances Safety: Particular requirements for floor treatment machines and wet scrubbing machines

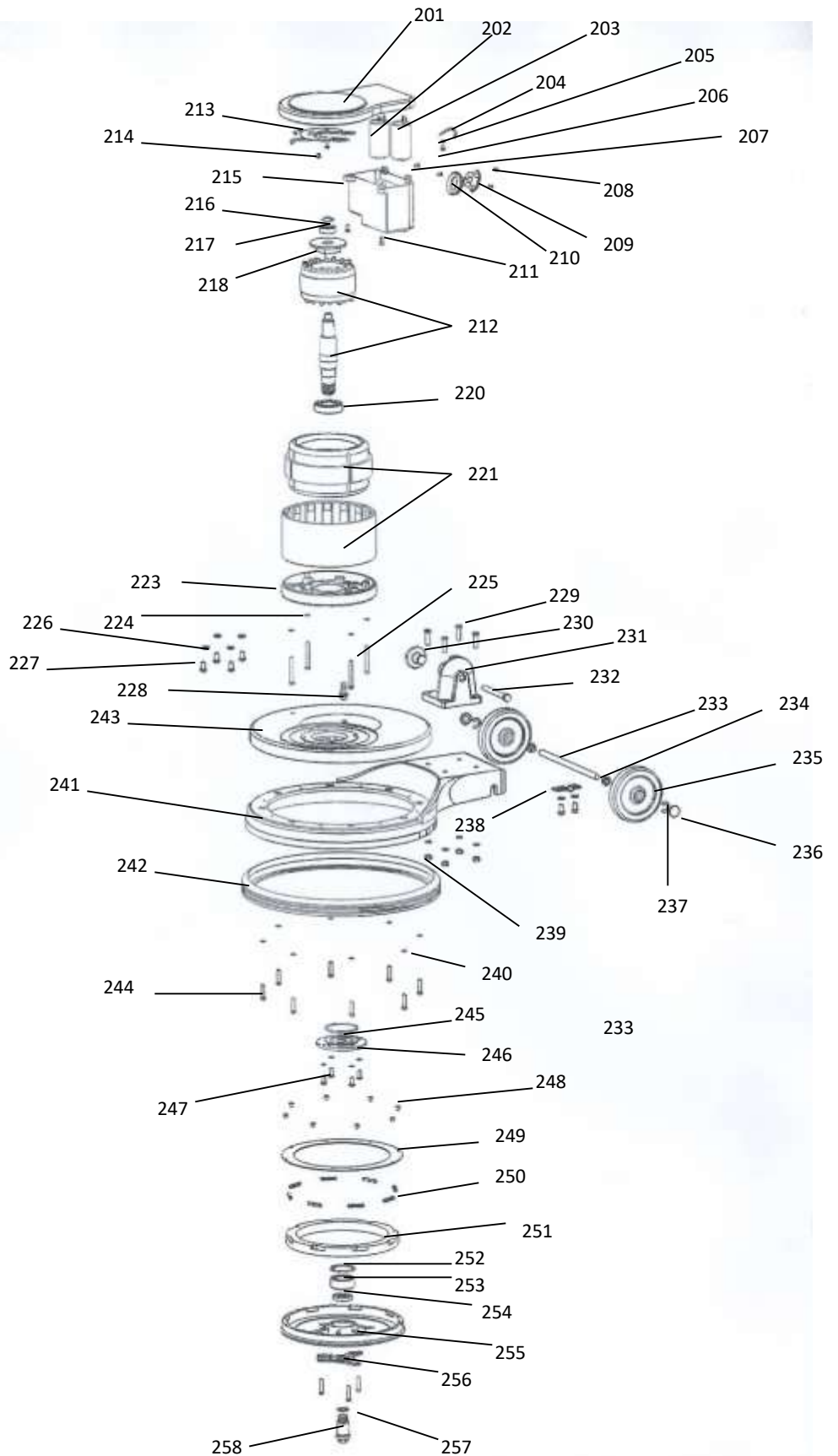
Handle



Handle

POS	PART CODE	DESCRIPTION	QUANTITY
101	AT060001	Cover, Handle Front	1
102	AT060004	Lever, Height Adjustment	1
103	AT060003	Lever, Switch	2
104	AT063001	Spring, Safety Button	2
105	AT060007	Safety Button	2
106	AT022061	Switch	1
107	AT060002	Cover, Handle Rear	1
108	AT033029	Screw	9
109	AT022066	Terminal Wiring	1
110	AT060006	Cover, Rear	1
111	AT033028	Screw	2
112	AT060005	Lever, Solution Control	1
113	AT022062	Socket	1
114	AT060009	Cap, Socket	1
115	AT063000	Spring, Socket	1
116	AT033511	Pin	1
117	AT033510	Ball	2
118	AT022064	Grit, Cable	1
119	AT022000	Cable(ch)	1
119	AT022001	Cable(eg)	1
120	AT060008	Ring	1
121	AT063003	Rod, Steel	1
122	AT063002	Pole	1
123	AT022022	Wire, Red	1
124	AT063006	Spring, Large	3
125	AT063005	Toothed Bolt, Handle Adjustment	1
126	AT022065	Gland, Cable	1
127	AT022010	Cord	1
128	AT033404	C-Ring	1
129	AT033537	Screw	2
130	AT061001-2	Cover, Gear Box	1
131	AT033356	Pin 6*35	4
132	AT063004	Gear, Handle Adjustment	1
133	AT000001	O-ring	2
134	AT061002-2	Cap, Gear Box	1
135	AT061000-2	Axle	1
136	AT060014	Socket Cover	1
137	AT033538	Nut	2
138	AT033352	Pin, Spring Type 4*20	1
139	AT033005	Screw	2
140	AT060015	Hook, Power Cable	1
141	AT033354	Pin, Spring Type 4*18	2
142	AT033025	Pin, Spring Type 4*45	1
143	AT033043	Screw	2
144	AT060010	Bar, Wire	1
145	AT022083	Pad, Switch	1
146	AT033041	Screw	2
147	AT022023	Terminal Wire , Green/Yellow	1
148	AT022021	Terminal Wire , Blue	1
149	AT022020	Terminal Wire , Brown	1
150	AT022024	Wire, Blue	1

Body



Body

POS	PART CODE	DESCRIPTION	QUANTITY
201	AT061004	Top Cover, Motor	1
202	AT022037	Starting Capacitor AT-401	1
203	AT022039	Running Capacitor	1
204	AT022071	Wire	1
205	AT033308	Pad M4	1
206	AT033035	Screw M4*12	3
207	AT033046	Screw 3.5*16	2
208	AT033034	Screw C3*15	2
209	AT022063	Socket	1
210	AT060013	Pad, Socket	1
211	AT033031	Screw M5*14	2
212	ATK06021	Rotor Complete	1
213	AT022060	Plate for centrifugal switch	1
214	AT033035	Screw, Switch M4*12	3
215	AT060012	Box, Capacitor	8
216	AT034004	Pad	2
217	AT022031	Bearing	1
218	AT022060-30A	Centrifugal switch 50HZ	1
220	AT022030	Bearing	1
221	ATK06023	Stator Complete	1
223	AT061005	Cover, Motor	1
224	AT033302	Washer M6	4
225	AT033532	Screw M6*150	4
226	AT033301	Pad M8	8
227	AT033002	Screw M8*20	6
228	AT073000-10	Connector	1
229	AT033003	Screw M8*30	4
230	AT000030	Knot	1
231	AT061003-2	Support	1
232	AT033025	Bolt M10*100	1
233	AT063013	Axle	1
234	AT063019	Sleeve, Axle	2
235	AT060016	Wheel 125	2
236	AT063015	Cover, Wheel	2
237	AT033405	C-Ring	2
238	AT063014	Pad, Axle	1
239	AT033203	Nut M8	4
240	AT033302	WASHER M6	12
241	AT061007-2	Frame	1
242	AT060011	Bumper	1
243	AT011000-G	Upper Plate	1
244	AT033020	Screw M6*20	8
245	AT000002	O-Ring	1
246	AT063007	Plate, Axis	1

Body

POS	PART CODE	DESCRIPTION	QUANTITY
247	AT033000	Screw M6*16	7
248	AT033026	Screw M5*12	8
249	AT063011	Washer, Gear	1
250	AT063010	Spring	8
251	AT060020L	Gear	1
252	AT033401	C-Ring	1
253	AT022033	Bearing	1
254	AT000020	Seal 30*42*7	1
255	AT061008	Plate	1
256	AT063012	Driver	1
257	AT000004	O-Ring	1
258	AT063008	Small Axis	1